



Electric Pump with Solenoid Valve

MODELS: PE30M3L01A, PE30M3L02A, PE40M3L02A, PE40M3L05A PE50M3L03A, PE50M3L05A, PE30M4L01A, PE30M4L02A, PE40M4L02A, PE50M4L03A, PE50M4L05A, PW33L, PW43L

SFA Companies 10939 N. Pomona Ave. Kansas City, MO 64153

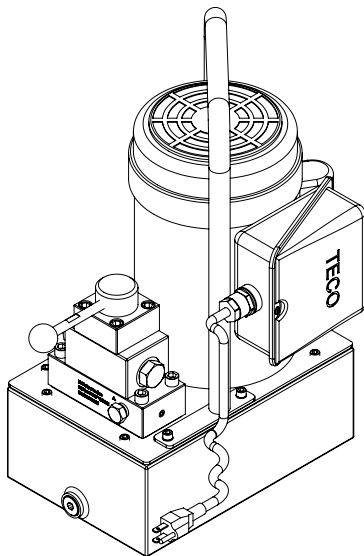
Tel: 888-332-6419 * Fax: 816-448-2142

E-mail: sales@bvahydraulics.com Website: www.bvahydraulics.com

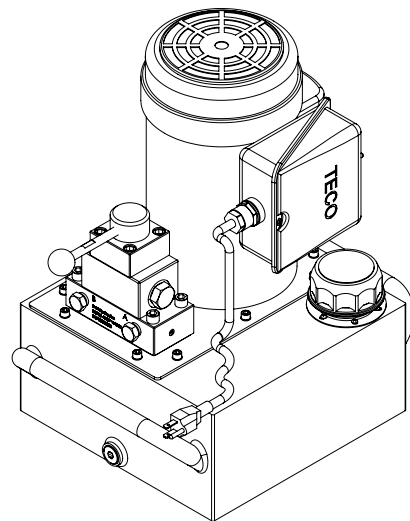


This is the safety alert symbol. It is used to alert you to potential personal injury hazards. Obey all safety messages that follow this symbol to avoid possible injury or death.

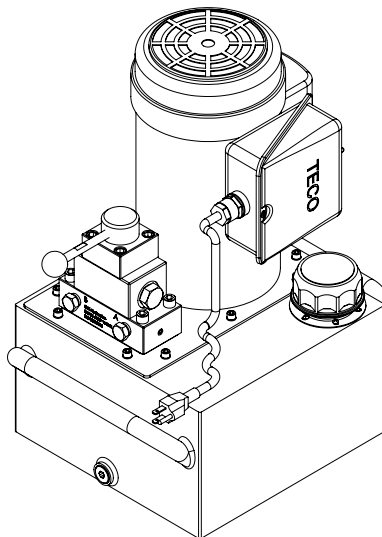
Maximum Operating Pressure 10,000 PSI



PE30M3L01A



PE40M4L02A




PE50M4L03A

Save these instructions. For your safety, read and understand the information contained within. The owner and operator shall have an understanding of this product and safe operating procedures before attempting to use this product. Instructions and safety information shall be conveyed in operator's native language before use of this product is authorized. Make certain that the operator thoroughly understands the inherent dangers associated with the use and misuse of the product. If any doubt exists as to the safe and proper use of this product as outlined in this factory authorized manual, remove from service immediately.


Inspect before each use. It is recommended that, prior to each use, an inspection be done by qualified personnel and that any missing or damaged parts, decals, warning / safety labels or signs be replaced with factory authorized replacement parts only. Any pump that appears to be damaged in any way, is worn, leaking or operates abnormally shall be removed from service immediately until such time as repairs can be made. Any pump that has been subjected to a shock load (a load dropped suddenly, causing the system pressure to exceed 10,000 PSI), shall be removed from service immediately until checked by qualified personnel. Owners and operators of this equipment shall be aware that the use and subsequent repair of this equipment does require special training and knowledge.

PRODUCT DESCRIPTION

This Pump is engineered to meet most industrial standards for Performance and Safety. Its allows quick displacement of hydraulic fluid under no load conditions and easy pumping in loaded conditions. This electric hydraulic pump supplies compressed hydraulic fluid to compatible applications i.e. rams, presses, spreaders, compactors and crimping machines, anywhere that 10,000 PSI of fluid pressure is needed. Special skill, knowledge and training may be required for a specific task and the product may not be suitable for all the jobs described above. Unsuitable applications would include applications that call for a device to move, level or support persons, animals, hazardous materials, mobile homes/ dwellings in general, mirrors and/or plate glass, and/or to connect/secure hatches, components, etc. between bulkheads. The user must make the decision regarding suitability of the product for any given task and assume the responsibility of safety for himself/herself and others in the work area.


DANGER

TO AVOID ELECTROCUTION HAZARD:



- Owner, Operator must **read, understand and follow** all printed material provided with this device **before use**.
- Connect **ONLY** to properly **grounded** electrical source. Connect to **GFI** outlet **ONLY!** For use in **dry locations**.
- Avoid the use of extension cords. If necessary, for extension cords lengths up to 25 ft, use SJT-14X3 or heavier. For cords up to 50 ft, use SJT-12X3 or heavier. For extension cord lengths up to 100 ft, use SJT-10X3 or heavier **NEVER** use a 3 prong adapter.
- Do not operate this device in an explosive atmosphere or in the presence of conductive liquids.

SPECIFICATIONS

Model Number (for use w/ single acting cylinder)	Usable Oil Capacity (gal)	Pressure Rating (psi)		Output Flow Rate (in ³ /min)		Valve Type	Valve Function	Motor (HP)	Motor Voltage (V)	Weight (lbs)
		1st Stage	2nd Stage	1st Stage	2nd Stage					
PE30M3L01A	1	350		293	18	3-way, 3-position	Advance/ Hold/ Run	0.5	120	61.5
PE30M3L02A	2			311	37					65.3
PE40M3L02A		700	10,000	470	61			1.0		72.6
PE50M3L03A	3			311	37			1.5		90.4
PE50M3L05A	5			311	37			1.0		98.0
PE40M3L05A		1	350	293	18	0.5	96.0			
PE30M4L01A	1	350		293	18	4-way, 3-position	Advance/ Hold/ Run	0.5	120	61.5
PE30M4L02A	2			311	37					65.3
PE40M4L02A		700	10,000	470	61			1.0		72.6
PE50M4L03A	3			311	37			1.5		90.4
PE50M4L05A	5			311	37			1.0		98.0



This is the safety alert symbol. It is used to alert you to potential personal injury hazards. Obey all safety messages that follow this symbol to avoid possible injury or death.



WARNING



- **Read, understand, and follow all** instructions provided with and on this device **before use**.
- All WARNING statements must be carefully observed to help prevent personal injury.
- No alteration shall be made to this device.
- Always wear protective gear when operating hydraulic equipment. Tie up long hair, wear eye and ear protection, and non slip foot wear.
- Keep hydraulic equipment away from flames and heat. Hydraulic fluid can ignite and burn. Do not operate if leaks are detected.
- **Crush Hazard.** Keep hands and feet away from loading area. Avoid pinch points or crush points that can be created by the load, cylinder, or system components.
- To avoid crushing and related injuries: NEVER work on, under or around a lifted load before it is supported by appropriate mechanical means. Never rely on hydraulic pressure alone to support load.
- Do not install, remove or rewire the motor with power applied. Have qualified technician to install, adjust and service the motor.
- Do not operate this device in an extreme temperature, explosive atmosphere or in the presence of conductive liquids.
- Always inspect hoses and connections for damage prior to use.
- Ensure the device is placed on a hard, level surface.
- Ensure that application is stable to work on and around.
- Use only approved accessories and approved hydraulic fluid.
- Never attach ANY component not authorized by manufacturer.
- Do not connect to application which can return more oil to the reservoir than the pump reservoir can hold.
- Do not connect pump to hydraulic system powered by another pump.
- This device is not suitable for use as support device! As the system load is lifted, use blocking and cribbing to guard against a falling load.
- All personnel must be clear before lowering load or depressurizing the system.
- Never try to disassemble a hydraulic pump, refer repairs to qualified, authorized personnel.

HYDRAULIC PUMPS

- The user must be a qualified operator familiar with the correct operation, maintenance, and use of pumps. Lack of knowledge in any of these areas can lead to personal injury.
- Do not exceed rated capacity of the pump or any equipment in the system.
- Never attempt to lift a load weighing more than the capacity of the output device (cylinder, spreader etc.)
- Do not subject pump and its components to shock loads.
- Burst hazard exists if hose or connection pressure exceeds rated pressure.
- Inspect pump, cylinder, hoses and connections before each use to prevent unsafe conditions from developing. Do not use if they are damaged, altered or in poor condition. Do not operate the system with bent or damaged coupler or damaged threads.
- Never hold or stand directly in line with any hydraulic connections while pressurizing.
- **ALWAYS** use gauge or other load measuring instrument to verify load.
- **Never** attempt to disconnect hydraulic connections under pressure. Release all line pressure **before** disconnecting hoses.
- Use of incorrect power source will damage the motor.
- Do not use an ungrounded (two-prong) extension cord.
- Avoid short runs of straight line tubing. Straight line runs do not provide for expansion and contraction due to pressure and/or temperature changes.
- Reduce stress in tube lines. Long tubing runs should be supported by brackets or clips. Before operating the pump, tighten all hose connections with proper tools. Do not overtighten. Connections should only be tightened securely and leak-free. Overtightening can cause premature thread failure or high pressure fittings to burst.
- Should a hydraulic hose ever rupture, burst or need to be disconnected, immediately shut off the pump and release all pressure. Never attempt to grasp a leaking pressurized hose with your hands. The force of escaping hydraulic fluid can inflict injury.
- Do not subject the hose to potential hazard such as fire, sharp objects, extreme heat or cold, or heavy impact.
- Do not allow the hose to kink, twist, curl, crush, cut or bend so tightly that the fluid flow within the hose is blocked or reduced. Periodically inspect the hose for wear.
- Do not pull, position or move setup by the hose.
- Hose material and coupler seals must be compatible with hydraulic fluid used. Hoses also must not come in contact with corrosive materials such as battery acid, creosote-impregnated objects and wet paint. Never paint a coupler or hose.
- FAILURE TO HEED THESE WARNINGS MAY RESULT IN PERSONAL INJURY AS WELL AS PROPERTY DAMAGE.

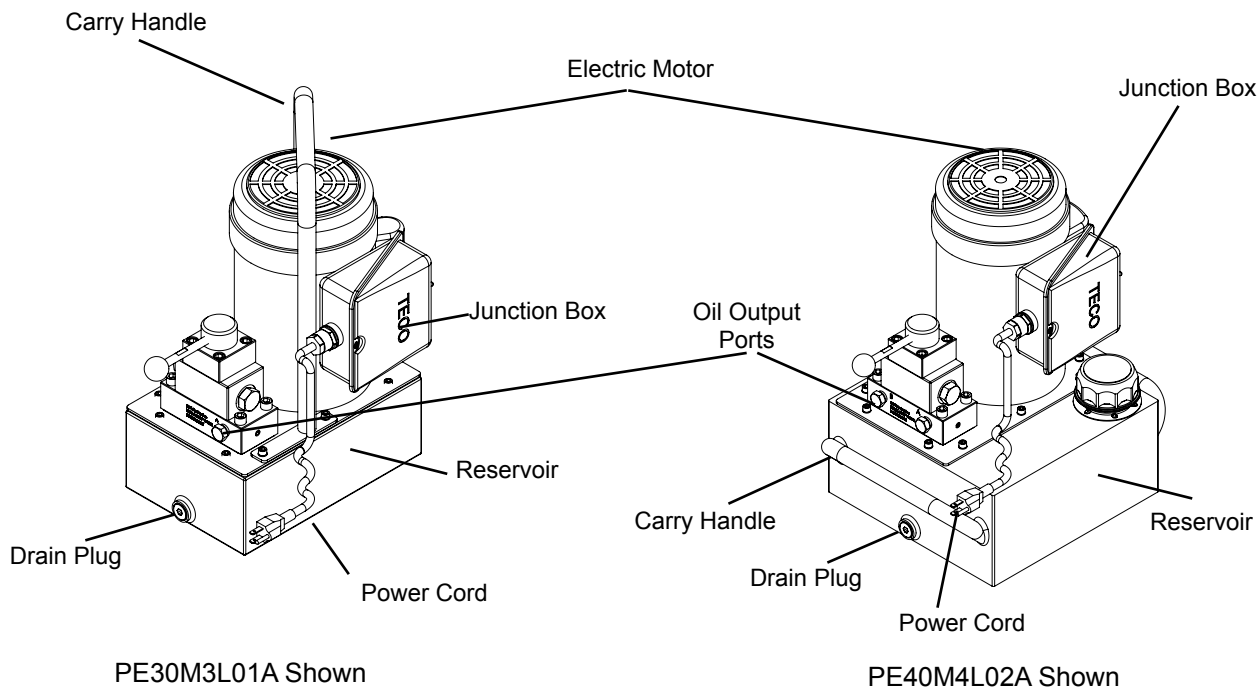


Fig. 1- Electric Pump w/ Attachable Manual Control Valve With Locking Feature

BEFORE USE

Read all instructions carefully before attempting to assemble or operate this pump. Most malfunctions in new equipment are the result of improper operation and/or improper set-up assembly.

Visually inspect all components for shipping damage. Do not use if any damage is found.

Note: E-Pump is shipped without hydraulic oil filled. Add oil before starting motor and operation.

Familiarize yourself with the specification and illustrations in this owner manual. Use service parts drawing as reference of location and assembly.

1. Compare motor nameplate against power availability to prevent motor burnout or dangerous electrical overloading.
2. The motor is wired for 120 volts unless otherwise specified, and are supplied with a plug and 3 prong cordset.

Hydraulic Connections:

1. Make sure to use the hydraulic oil specified by the manufacturer. Check and make sure the oil level in reservoir is at about 2" from top of reservoir plate, with cylinders retracted and motor off.
2. There are two oil output ports on this pump. **CONNECT HYDRAULIC CONNECTION TO ONE OIL PORT ONLY.** Connect to either one of the oil output ports and make sure the other port is plugged and tighten properly.
3. Use of pressure gauge is strongly recommended. Attach a pressure gauge between the pump and cylinder to monitor pressure on cylinder.
4. Make sure coupler, hose, valve, gauge are tightened securely to prevent accidental removal of components while in use. Hoses **must** not be kinked or twisted.

Electrical Connections:

⚠ Motor, connections and remote pendant switch are energized components containing line voltage!

Ensure supply is grounded and GFI protected!

Note: Always secure threaded port connections with non-hardening pipe thread compound. Take care not to introduce compound into port orifices.

5. Do not exceed the rated capacity of the equipment connected to the pump. Use larger capacity cylinders if necessary. To **reduce** system component stress, material fatigue, and the risk of personal injury and property damage, **never** load a hydraulic application (cylinder, spreader, etc.) more than 80% of its rated capacity.

The pump's maximum working pressure is 10,000 psi. Make sure that all hydraulic equipment such as cylinders, hoses, coupler, etc. used with this pump are rated at 10,000 psi or greater.

Note: When the valve is in RELEASE position, the cylinder advances when the pump is running and retracts when the motor is stopped.

When the valve is in the HOLD position, the cylinder advances when the pump is running and, holds when the motor is stopped. The cylinder can be retracted by moving the flipper control valve to the RELEASE position.

Note: To ensure smooth operation, bleed air from the system by fully advancing and retracting the cylinder several times.

Note: Do not continue to operate pump after cylinder plunger is fully extended or retracted.

OPERATION

Note: A dump valve with 2-way, 2-position is equipped on the pump to use with Single-acting cylinders or applications.

1. Check oil level, add oil if necessary.
2. Make sure system fittings and connections are tight and leak free.
3. Turn the flipper control valve counter-clockwise to HOLD position.
4. Start the pump by pressing and holding the switch on remote pendant. Oil advances the cylinder or application when the unit is activated.
5. Always monitor the pressure, load and position.
6. Release the switch on remote pendant when desired pressure, load or position is reached.
7. To retract the cylinder or application, turn the flipper control valve clockwise to RELEASE position.
8. Depressurize all connections before disconnect.

MAINTENANCE

1. Keep areas around pump unobstructed in order to provide good air flow around the motor and pump. Try keep the motor and pump as clean as possible.
2. Inspect hoses and connections daily. Replace damaged components immediately with BVA replacement parts only.
3. Tighten connections as needed. Use non-hardening pipe thread compound when servicing connections.
4. Check hydraulic oil level every 40 hours of operation. Add hydraulic oil if necessary.
5. Completely change the hydraulic oil every 300 hours of operation. Change the oil more frequently when pump is used in an extremely dusty environment or when the oil has been overheated. Use only good quality hydraulic oil. We recommend Mobil BVA FJZ01 or equivalent. To order the oil, refer to service parts section.

Note: Use only a good quality hydraulic oil. **Never** use brake fluid, transmission fluid, turbine oil, motor oil, alcohol, glycerin etc. Use of other than recommended hydraulic oil, will void warranty and damage the pump, hose, and application.

Adding Hydraulic Oil

1. Make sure electric motor is OFF.
2. Depressurize and disconnect hydraulic hose from application.
3. Remove vent cap on the top plate of the reservoir.
4. Use a funnel to fill reservoir to about 2" from top of reservoir plate.
5. Wipe up any spilled fluid and reinstall the vent cap.

DANGER

TO AVOID ELECTROCUTION HAZARD:



- Owner, Operator must **read, understand and follow** all printed material provided with this device **before use**.
- Connect **ONLY** to properly **grounded** electrical source. Connect to **GFI outlet ONLY!** For use in **dry locations**.
- Avoid the use of extension cords. If used, extension cord lengths up to 25 ft shall be SJT-14X3 or heavier. For cords up to 50 ft, use SJT-12X3 or heavier. For extension cord lengths up to 100 ft, use SJT-10X3 or heavier. **NEVER** use a 3 prong adapter.
- Do not operate this device in an explosive atmosphere or in the presence of conductive liquids.

Changing Hydraulic Oil

1. For best results, change hydraulic oil once a year.
2. Remove drain plug, tilt the pump then pour used fluid into a sealable container.
3. Dispose the hydraulic oil in accordance with local regulations.
4. Fill hydraulic oil, then reinstall vent cap.

Cleaning

Clean oil filter screen periodically with nonflammable solvent, then blow dry before reassemble back to pump.

Storage

1. When not in use, depressurize and disconnect hydraulic hoses from application.
2. Wipe clean, thoroughly.
3. Store in clean, dry environment. Avoid temperature extremes.
4. For transportation or long term storage, shield pump with a protective cover.

TROUBLESHOOTING

Symptom	Possible Causes	Corrective Action
Motor will not start	<ul style="list-style-type: none"> • No power or wrong voltage • Damaged power cord • Tripped circuit breaker • Loose or faulty wiring 	<ul style="list-style-type: none"> • Check the power supply & voltage • Contact Customer Service • Ensure electrical supply is adequate • Contact Customer Service
Erratic cylinder action	<ul style="list-style-type: none"> • Air in system or pump cavitation • External leak • Internal hydraulic leak 	<ul style="list-style-type: none"> • Follow pump instructions for bleeding air • Tighten all connections • Contact Service Center
Pump fails to maintain pressure	<ul style="list-style-type: none"> • External leak • Internal hydraulic leak • Pump or valve malfunctioning 	<ul style="list-style-type: none"> • Tighten all connections • Contact Service Center • Check pump operating instructions
Cylinder extends partially	<ul style="list-style-type: none"> • Hydraulic oil level too low in pump • Load is above the capacity of system • Cylinder is sticking or binding 	<ul style="list-style-type: none"> • Fill and bleed the system • Use the correct equipment • Contact Service Center
Cylinder moves slower than normal	<ul style="list-style-type: none"> • Loose connection or coupler • Restricted hydraulic line or • Pump not working correctly • Cylinder seals leaking 	<ul style="list-style-type: none"> • Tighten • Clean and replace if damaged • Check pump operating instructions • Replace cylinder
Cylinder leaks hydraulic fluid	<ul style="list-style-type: none"> • Worn or damaged seals 	<ul style="list-style-type: none"> • Replace cylinder
Cylinder will not retract or retracts slower than normal	<ul style="list-style-type: none"> • Loose couplers • Weak or broken retraction springs • Cylinder damaged internally • Pump reservoir too full 	<ul style="list-style-type: none"> • Tighten couplers • Replace cylinder • Replace cylinder • Drain hydraulic fluid to correct level
Motor cuts out	<ul style="list-style-type: none"> • Extension cord too long • Faulty motor • Overheated motor can trip circuit breaker 	<ul style="list-style-type: none"> • Replace • Replace or repair • Allow motor to cool, reset circuit breaker



BVA
HYDRAULICS

Electric Pump Service Parts

MODEL: PE30M3L01A, PE30M4L01A

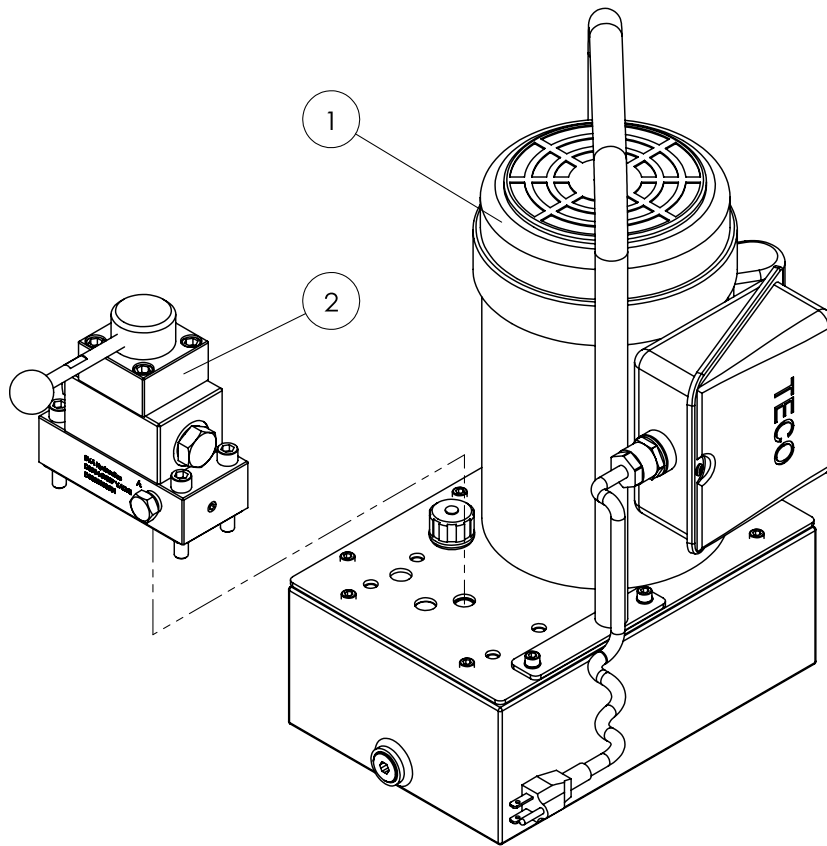
SFA Companies 10939 N. Pomona Ave. Kansas City, MO 64153

Tel: 888-332-6419 * Fax: 816-448-2142

E-mail: sales@bvahydraulics.com

Website: www.bvahydraulics.com

Note: Not all components of the device are replacement items, but are illustrated as a convenient reference of location and position in the assembly sequence. To ensure safe and reliable performance, replace worn or damaged parts with BVA authorized repair parts only and **ALWAYS** provide model and serial number when ordering.



Item	Part No.	Description	Qty.
1	PE30WOP01A	Motor pump assembly	1
2	PW33L, for S/A Model	3W/3P Valve (see pg 14 for details)	1
	PW43L, for D/A Model	4W/3P Valve (not shown)	1



Electric Pump Service Parts

MODEL: PE30M3L01A, PE30M4L01A

SFA Companies 10939 N. Pomona Ave. Kansas City, MO 64153

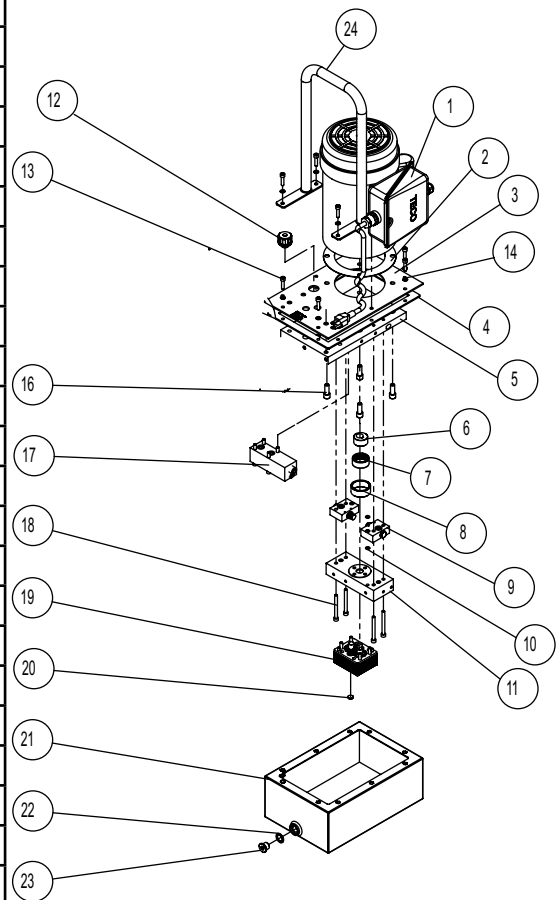
Tel: 888-332-6419 * Fax: 816-448-2142

E-mail: sales@bvahydraulics.com

Website: www.bvahydraulics.com

Note: Not all components of the device are replacement items, but are illustrated as a convenient reference of location and position in the assembly sequence. To ensure safe and reliable performance, replace worn or damaged parts with BVA authorized repair parts only and **ALWAYS provide model and serial number** when ordering.

Item	Part No.	Description	Qty.
1	E06-4-9000-108	0.5 HP TECO Motor	1
2	E05-6-9002-107	Gasket, Motor	1
3	E05-6-9003-109	Reservoir Cover	1
4	E05-6-9004-101	Reservoir Gasket	1
5	E05-4-3000-101	Upper Plate Assy	1
6	E05-6-9006-105	Eccentric Shaft, 5/8"	1
7	622-6-0318-203	Needle Bearing	1
8	E05-6-9007-107	Eccentric Sleeve Bearing	1
9	E05-4-4000-106	Piston Block Assy (see pg 16 for details)	2
10	511-7-0064-109	O-ring	2
11	E05-4-5000-101	Lower Plate Assy	1
12	E05-4-2000-106	Oil Filler Cap	1
13	649-1-0060-407	Bolt	10
14	601-3-0064-106	Gasket	10
16	649-1-0095-204	Socket head cap screw	4
17	E05-4-8000-106	Safety Valve Set (see pg 20 for details)	1
18	649-1-0063-403	Socket Head Cap Screw	4
19	E05-4-6000-106	Gear Pump Assy (see pg 17 for details)	1
20	H23-6-1000-102	Magnet	1
21	E05-3-9005-105	Reservoir, 1 Gal	1
22	532-3-0160-104	Washer	1
23	E05-6-8008-104	Hex Plug	1
24	E05-3-7000-105	Handle Weldment	1
-	E05-3-9940-102	Piston Block Assy Repair Kit	1
-	E05-3-9902-105	Reservoir Bolt Kit	1
-	E05-3-9980-105	Unloading Block Assy Repair Kit	1
-	E05-3-9960-109	Gear Pump Assy Repair Kit	1
-	E05-3-9901-103	Hex Plug Kit	1
-	FJZ01	Hydraulic Oil, 1 Gal	1



** Manifold Kit includes: manifold block, manifold gasket, bolts, remote control, cable

***Repair requires special skills, knowledge, and equipment. Only an authorized service center may perform the repair and/or replacement of these items. Contact BVA technical service for list of service centers.**



BVA
HYDRAULICS

Electric Pump Service Parts

MODEL: PE40M3L02A, PE40M4L02A, PE40M3L05A

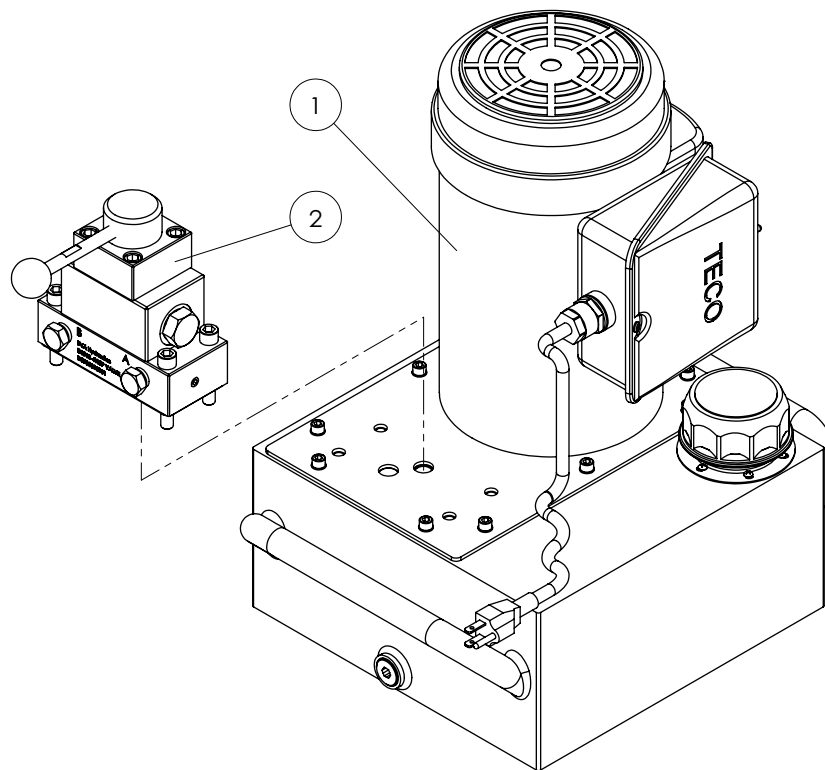
SFA Companies 10939 N. Pomona Ave. Kansas City, MO 64153

Tel: 888-332-6419 * Fax: 816-448-2142

E-mail: sales@bvahydraulics.com

Website: www.bvahydraulics.com

Note: Not all components of the device are replacement items, but are illustrated as a convenient reference of location and position in the assembly sequence. To ensure safe and reliable performance, replace worn or damaged parts with BVA authorized repair parts only and **ALWAYS** provide model and serial number when ordering.



Item	Part No.	Description	Qty.
1	PE40WOP02A	Motor pump assembly	1
2	PW33L, for S/A Model	3W/3P Valve (not shown)	1
	PW43L, for D/A Model	4W/3P Valve (see pg 15 for details)	1



BVA

HYDRAULICS

Electric Pump Service Parts

MODEL: PE40M3L02A, PE40M4L02A

SFA Companies 10939 N. Pomona Ave. Kansas City, MO 64153

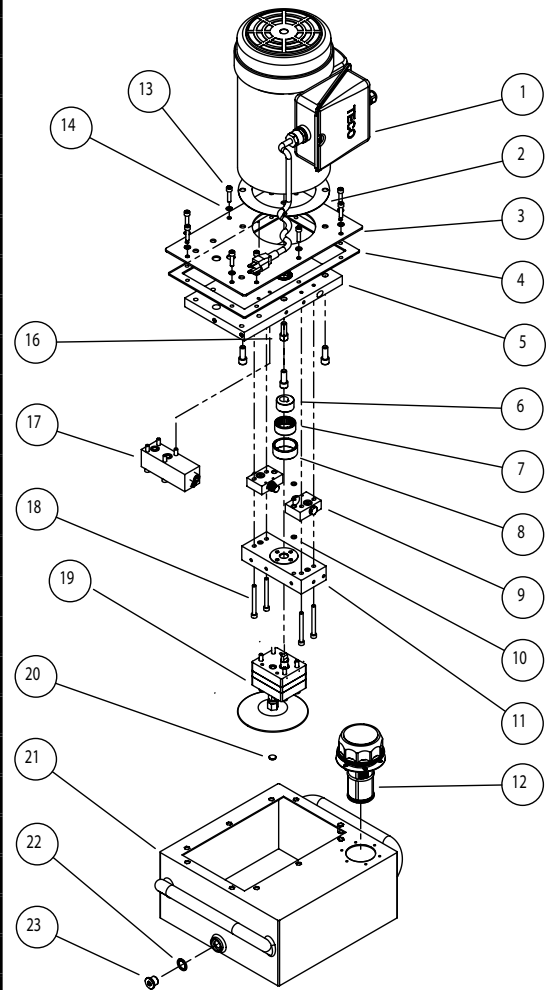
Tel: 888-332-6419 * Fax: 816-448-2142

E-mail: sales@bvahydraulics.com

Website: www.bvahydraulics.com

Note: Not all components of the device are replacement items, but are illustrated as a convenient reference of location and position in the assembly sequence. To ensure safe and reliable performance, replace worn or damaged parts with BVA authorized repair parts only and **ALWAYS provide model and serial number** when ordering.

Item	Part No.	Description	Qty.
1	E11-4-9000-101	1 HP TECO Motor	1
2	E05-6-9002-107	Gasket, Motor	1
3	E10-6-9003-102	Reservoir Cover	1
4	E05-6-9004-101	Reservoir Gasket	1
5	E05-4-3000-101	Upper Plate Assy	1
6	E05-6-9006-105	Eccentric Shaft, 5/8"	1
7	622-6-0318-203	Needle Bearing	1
8	E05-6-9007-107	Eccentric Sleeve Bearing	1
9	E10-4-4000-109	Piston Block Assy (see pg 16 for details)	2
10	511-7-0064-109	O-ring	2
11	E05-4-5000-101	Lower Plate Assy	1
12	E10-4-2000-109	Oil Filler Cap	1
13	649-1-0060-407	Bolt	10
14	601-3-0064-106	Gasket	10
16	649-1-0095-204	Socket Head Cap Screw	4
17	E05-4-8000-106	Safety Valve Set (see pg 20 for details)	1
18	649-1-0063-403	Socket Head Cap Screw	4
19	E05-4-6001-108	Gear Pump Assy (see pg 18 for details)	1
20	H23-6-1000-102	Magnet	1
21	E10-3-9005-108	Reservoir (2 Gal)	1
21a	E30-3-9005-104	Reservoir (5 Gal)	1
22	532-3-0160-104	Washer	1
23	E05-6-8008-104	Hex Plug	1
-	E05-3-9940-102	Piston Block Assy Repair Kit	1
-	E05-3-9902-105	Reservoir Bolt Kit	1
-	E05-3-9980-105	Unloading Block Assy Repair Kit	1
-	E05-3-9960-109	Gear Pump Assy Repair Kit	1
-	FJZ01	Hydraulic Oil, 1 Gal	1



** Manifold Kit includes: manifold block, manifold gasket, bolts, remote control, cable

***Repair requires special skills, knowledge, and equipment. Only an authorized service center may perform the repair and/or replacement of these items. Contact BVA technical service for list of service centers.**



BVA
HYDRAULICS

Electric Pump Service Parts

MODEL: PE50M3L03A, PE50M4L03A

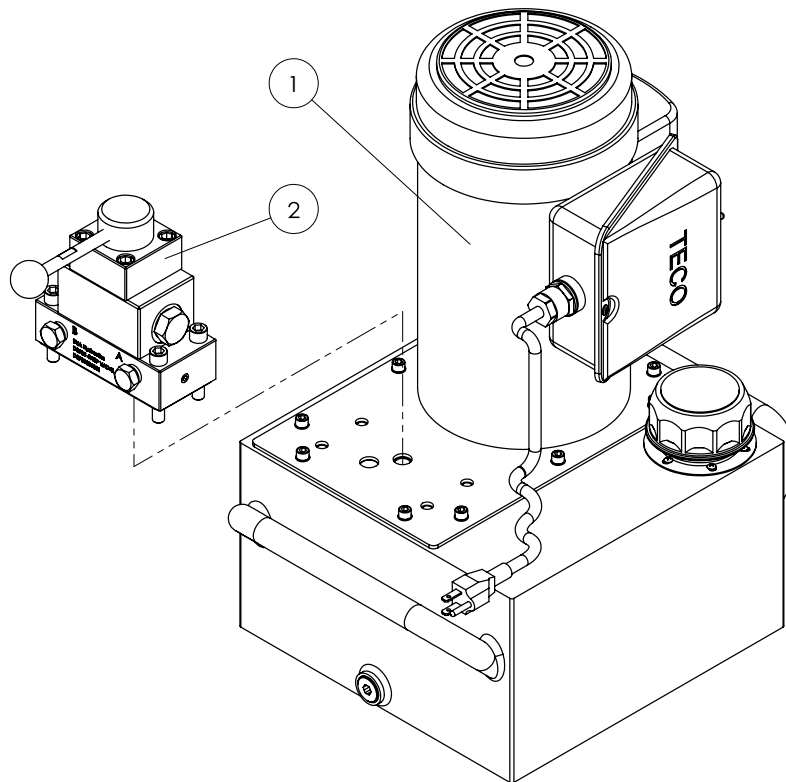
SFA Companies 10939 N. Pomona Ave. Kansas City, MO 64153

Tel: 888-332-6419 * Fax: 816-448-2142

E-mail: sales@bvahydraulics.com

Website: www.bvahydraulics.com

Note: Not all components of the device are replacement items, but are illustrated as a convenient reference of location and position in the assembly sequence. To ensure safe and reliable performance, replace worn or damaged parts with BVA authorized repair parts only and **ALWAYS provide model and serial number** when ordering.



Item	Part No.	Description	Qty.
1	PE50WOP03A	Motor pump assembly	1
2	PW33L, for S/A Model	3W/3P Valve (not shown)	1
	PW43L, for D/A Model	4W/3P Valve (see page 15 for details)	1



BVA
HYDRAULICS

Electric Pump Service Parts

MODEL: PE50M3L03A, PE50M4L03A

SFA Companies 10939 N. Pomona Ave. Kansas City, MO 64153

Tel: 888-332-6419 * Fax: 816-448-2142

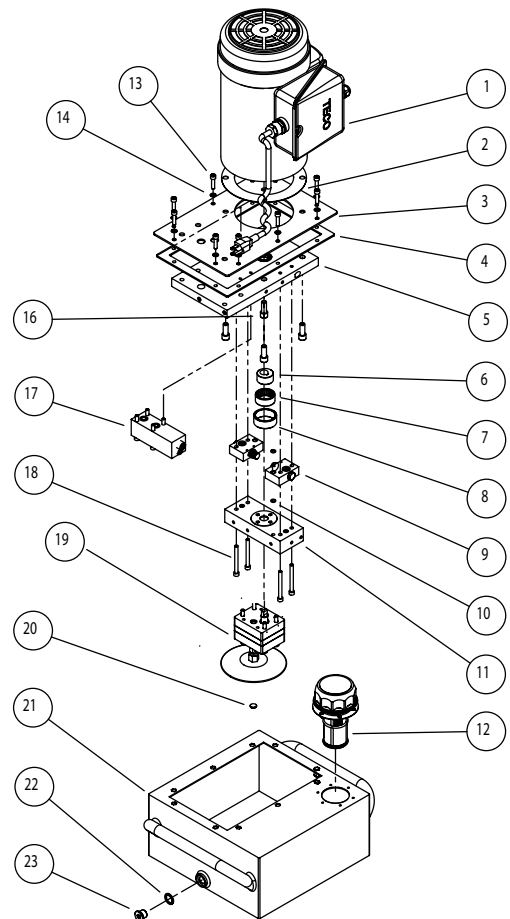
E-mail: sales@bvahydraulics.com

Website: www.bvahydraulics.com

Note: Not all components of the device are replacement items, but are illustrated as a convenient reference of location and position in the assembly sequence. To ensure safe and reliable performance, replace worn or damaged parts with BVA authorized repair parts only and **ALWAYS provide model and serial number** when ordering.

Item	Part No.	Description	Qty.
1	E16-4-9000-106	1.5 HP TECO Motor	1
2	E05-6-9002-107	Gasket, Motor	1
3	E10-6-9003-102	Reservoir Cover	1
4	E05-6-9004-101	Reservoir Gasket	1
5	E15-4-3000-109	Upper Plate Assy	1
6	E05-6-9006-105	Eccentric Shaft, 5/8"	1
7	622-6-0318-203	Needle Bearing	1
8	E05-6-9007-107	Eccentric Sleeve Bearing	1
9	E15-4-4000-104	Piston Block Assy (see pg 16 for details)	2
10	511-7-0064-109	O-ring	2
11	E05-4-5000-109	Lower Plate Assy	1
12	E10-4-2000-109	Oil Filler Cap	1
13	649-1-0060-407	Bolt	10
14	601-3-0064-106	Gasket	10
16	649-1-0095-204	Socket Head Cap Screw	4
17	E05-4-8000-106	Safety Valve Set (see pg 20 for details)	1
18	649-1-0063-403	Socket Head Cap Screw	4
19	E15-4-6002-108	Gear Pump Assy (see pg 19 for details)	1
20	H23-6-1000-102	Magnet	1
21	E15-3-9005-103	Reservoir (3 Gal)	1
22	532-3-0160-104	Washer	1
23	E05-6-8008-104	Hex Plug	1
-	E15-3-9940-101	Piston Block Assy Repair Kit	1
-	E05-3-9902-105	Reservoir Bolt Kit	1
-	E05-3-9980-105	Unloading Block Assy Repair Kit	1
-	E15-3-9960-107	Gear Pump Assy Repair Kit	1
-	E05-3-9901-103	Hex Plug Kit	1
-	FJZ01	Hydraulic Oil, 1 Gal	1

** Manifold Kit includes: manifold block, manifold gasket, bolts, remote control, cable



***Repair requires special skills, knowledge, and equipment. Only an authorized service center may perform the repair and/or replacement of these items. Contact BVA technical service for list of service centers.**



Electric Pump Service Parts

MODEL: PE50M3L05A, PE50M4L05A

SFA Companies 10939 N. Pomona Ave. Kansas City, MO 64153

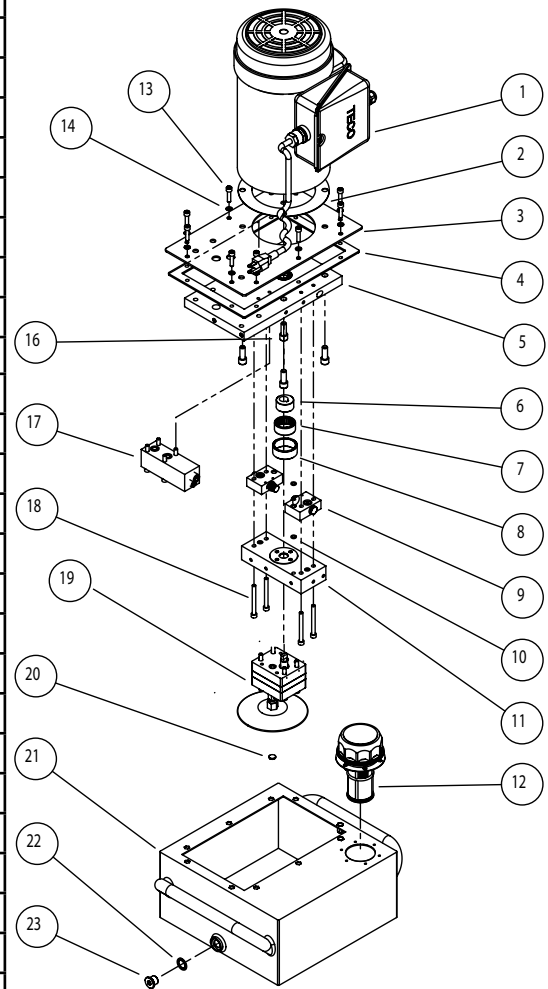
Tel: 888-332-6419 * Fax: 816-448-2142

E-mail: sales@bvahydraulics.com

Website: www.bvahydraulics.com

Note: Not all components of the device are replacement items, but are illustrated as a convenient reference of location and position in the assembly sequence. To ensure safe and reliable performance, replace worn or damaged parts with BVA authorized repair parts only and **ALWAYS provide model and serial number** when ordering.

Item	Part No.	Description	Qty.
1	E16-4-9000-106	1.5 HP TECO Motor	1
2	E05-6-9002-107	Gasket, Motor	1
3	E10-6-9003-102	Reservoir Cover	1
4	E05-6-9004-101	Reservoir Gasket	1
5	E15-4-3000-109	Upper Plate Assy	1
6	E05-6-9006-105	Eccentric Shaft, 5/8"	1
7	622-6-0318-203	Needle Bearing	1
8	E05-6-9007-107	Eccentric Sleeve Bearing	1
9	E15-4-4000-104	Piston Block Assy (see pg 16 for details)	2
10	511-7-0064-109	O-ring	2
11	E05-4-5000-109	Lower Plate Assy	1
12	E10-4-2000-109	Oil Filler Cap	1
13	649-1-0060-407	Bolt	10
14	601-3-0064-106	Gasket	10
16	649-1-0095-204	Socket Head Cap Screw	4
17	E05-4-8000-106	Safety Valve Set (see pg 20 for details)	1
18	649-1-0063-403	Socket Head Cap Screw	4
19	E15-4-6002-108	Gear Pump Assy (see pg 19 for details)	1
20	H23-6-1000-102	Magnet	1
21	E30-3-9005-104	Reservoir (5 Gal)	1
22	532-3-0160-104	Washer	1
23	E05-6-8008-104	Hex Plug	1
-	E15-3-9940-101	Piston Block Assy Repair Kit	1
-	E05-3-9902-105	Reservoir Bolt Kit	1
-	E05-3-9980-105	Unloading Block Assy Repair Kit	1
-	E15-3-9960-107	Gear Pump Assy Repair Kit	1
-	E05-3-9901-103	Hex Plug Kit	1
-	FJZ01	Hydraulic Oil, 1 Gal	-



** Manifold Kit includes: manifold block, manifold gasket, bolts, remote control, cable

***Repair requires special skills, knowledge, and equipment. Only** an authorized service center may perform the repair and/or replacement of these items. Contact BVA technical service for list of service centers.



Locking Valve Service Parts

MODEL: PW33L

SFA Companies 10939 N. Pomona Ave. Kansas City, MO 64153
 Tel: 888-332-6419 * Fax: 816-448-2142
 E-mail: sales@bvahydraulics.com Website: www.bvahydraulics.com

Note: Not all components of the device are replacement items, but are illustrated as a convenient reference of location and position in the assembly sequence. To ensure safe and reliable performance, replace worn or damaged parts with BVA authorized repair parts only and **ALWAYS provide model and serial number** when ordering.

Item	Part No.	Description	Qty.
1	E05-6-1002-107	CAP VALVE	1
2	*1	SOCKET HEAD CAP SCREW	4
3	*2	SPRING DETENT	1
4	*2	CHROME STEEL BALLS	2
5	E05-6-1003-109	VALVE BONNET	1
6	*2	O-RING	1
7	*2	O-RING	1
8	611-3-0200-106	THRUST WASHER	1
9	622-6-0200-109	THRUST BEARING	1
10	E05-3-1005-105	ROTOR WELDING	1
11	E05-4-1001-103	SHEAR SEAL ASSEMBLY	3
12	*2	SPRING WASHER	3
13	D09-6-1014-103	VALVE BLOCK	1
14	*1	SOCKET HEAD CAP SCREW	4
15	609-1-0075-105	HEX SOCKET PIPE PLUG	2
16	*2	GASKET - VALVE	1
17	641-1-0100-104	SOCKET HEAD CAP SCREW	1
18	E05-6-1009-101	VALVE HANDLE SYSTEM	1
19	E05-6-1008-109	BALL KNOB	1
20	601-4-0060-101	ROLL PIN	1
21	D05-6-1001-106	HEX SOCKET PIPE PLUG	1
22	E05-4-1004-200	ADAPTOR ASSEMBLY	1
23	E05-6-3001-105	PIN	2
24	*3	LOCKING VALVE ASSY.	1
25	E05-4-1012-108	CIRCULAR INTERNAL	1

Repair Kits		
*1	D09-4-1006-102	LOCKING VALVE ASSY.
*2	E05-6-1012-100	CIRCULAR INTERNAL NUTS SADDLE
*3	608-3-0008-105	CIRCULAR INTERNAL NUTS

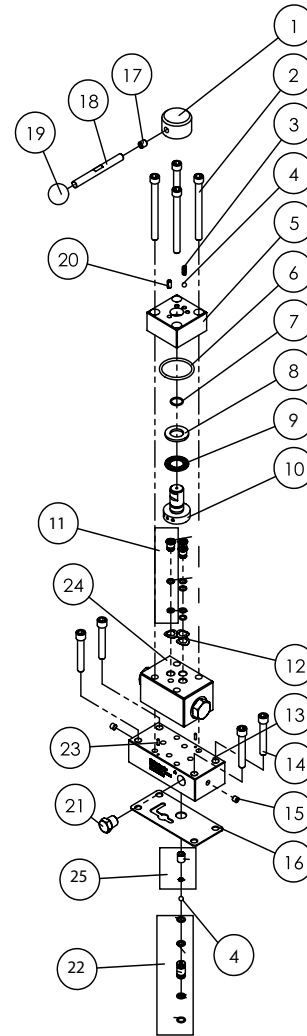


Fig. 7 PW33L Parts Illustration

***Repair requires special skills, knowledge, and equipment. Only an authorized service center may perform the repair and/or replacement of these items. Contact BVA technical service for list of service centers.**



BVA
HYDRAULICS

Locking Valve Service Parts

MODEL: PW43L

SFA Companies 10939 N. Pomona Ave. Kansas City, MO 64153
 Tel: 888-332-6419 * Fax: 816-448-2142
 E-mail: sales@bvahydraulics.com Website: www.bvahydraulics.com

Note: Not all components of the device are replacement items, but are illustrated as a convenient reference of location and position in the assembly sequence. To ensure safe and reliable performance, replace worn or damaged parts with BVA authorized repair parts only and **ALWAYS provide model and serial number** when ordering.

Item	Part No.	Description	Qty.
1	E05-6-1002-107	CAP VALVE	1
2	*1	SOCKET HEAD CAP SCREW	4
3	*2	SPRING DETENT	1
4	*2	CHROME STEEL BALLS	2
5	E05-6-1003-109	VALVE BONNET	1
6	*2	O-RING	1
7	*2	O-RING	1
8	611-3-0200-106	THRUST WASHER	1
9	622-6-0200-109	THRUST BEARING	1
10	E05-3-1005-105	ROTOR WELDING	1
11	E05-4-1001-103	SHEAR SEAL ASSEMBLY	3
12	*2	SPRING WASHER	3
13	D09-6-1024-106	VALVE BLOCK	1
14	*1	SOCKET HEAD CAP SCREW	4
15	609-1-0075-105	HEX SOCKET PIPE PLUG	2
16	*2	GASKET - VALVE	1
17	641-1-0100-104	SOCKET HEAD CAP SCREW	1
18	E05-6-1009-101	VALVE HANDLE SYSTEM	1
19	E05-6-1008-109	BALL KNOB	1
20	601-4-0060-101	ROLL PIN	1
21	D05-6-1001-106	HEX SOCKET PIPE PLUG	2
22	E05-4-1004-200	ADAPTOR ASSEMBLY	1
23	E05-6-3001-105	PIN	2
24	*3	LOCKING VALVE ASSY.	1
25	E05-4-1012-108	CIRCULAR INTERNAL	1

Repair Kits		
*1	D09-3-9952-109	VALVE ASSEMBLY BOLT REPAIR KIT
*2	E05-3-9911-106	VALVE ASSEMBLY REPAIR KIT
*3	D09-3-9905-100	LOCKING VALVE ASSY. REPAIR KIT

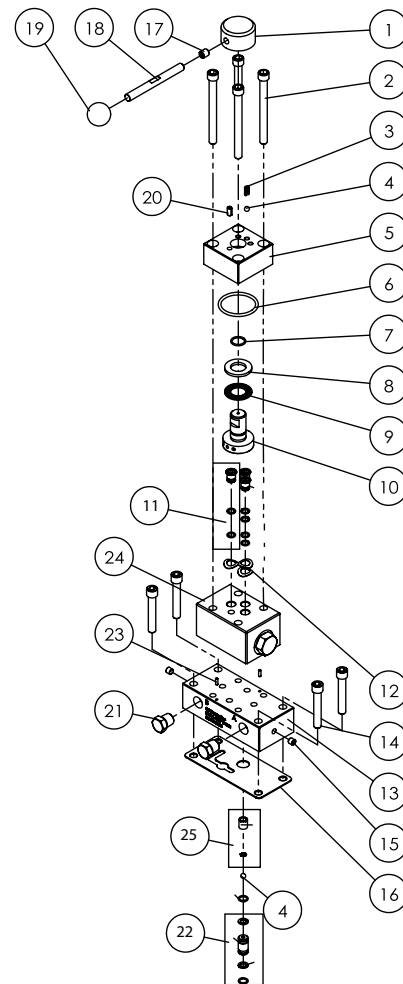


Fig. 8 PW43L Parts Illustration

***Repair requires special skills, knowledge, and equipment. Only an authorized service center may perform the repair and/or replacement of these items. Contact BVA technical service for list of service centers.**

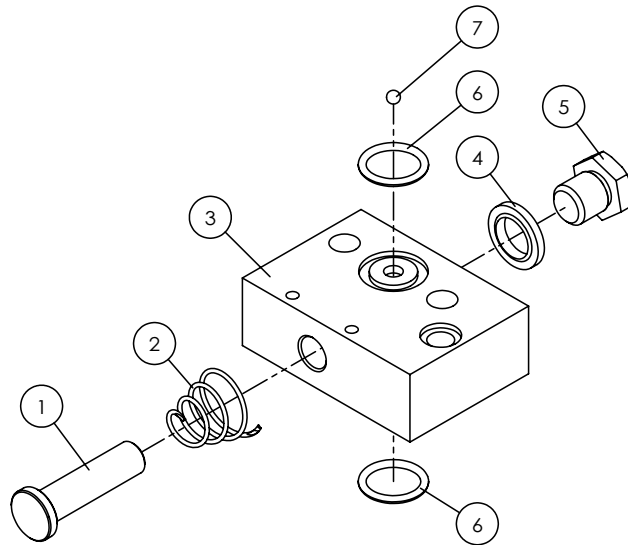


Pump Piston Set

PART: E05-4-4000-106, E10-4-4000-109, E15-4-4000-104

SFA Companies 10939 N. Pomona Ave. Kansas City, MO 64153
 Tel: 888-332-6419 * Fax: 816-448-2142
 E-mail: sales@bvahydraulics.com Website: www.bvahydraulics.com

Not all components of the pump are replacement items, but are illustrated as a convenient reference of location and position in the assembly sequence.



MODELS:					
E05-4-4000-106 (0.5 HP)		E10-4-4000-109 (1.0 HP)		E15-4-4000-401 (1.5 HP)	
Item	Part Number			Description	Qty.
1	E05-6-4000-108	E10-6-4000-101	E15-6-4000-106	Piston	1
2	*			Spring	1
3	N/A			Piston Block	1
4	H18-6-8103-104			Washer	1
5	E05-6-4002-102			Hex Head Plug	1
6	*			O-Ring	2
7	*			Ball	1
*	E05-3-9940-102		E15-3-9940-101	Repair Kits	1
*	E15-3-9940-101			Piston Block Assembly Repair Kit	1



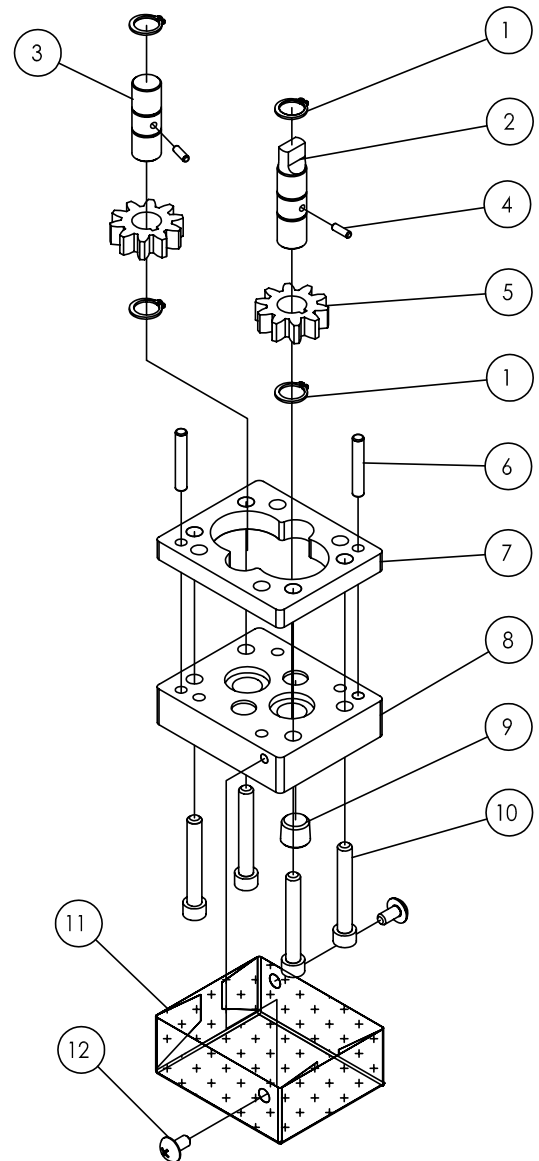
Gear Pump Assembly

PART: E05-4-6000-106

SFA Companies 10939 N. Pomona Ave. Kansas City, MO 64153
 Tel: 888-332-6419 * Fax: 816-488-2142
 E-mail: sales@bvahydraulics.com Website: www.bvahydraulics.com

Not all components of the pump are replacement items, but are illustrated as a convenient reference of location and position in the assembly sequence.

Item	Part Number	Description	Qty
1	*	Retaining Ring External	4
2	E05-6-6002-102	Drive Shaft- Gear Pump 1/2 H.P.	1
3	E05-6-6003-104	Idler Shaft- Gear Pump 1/2 H.P.	1
4	*	Pin Dowel	2
5	E05-6-6004-106	Gear	2
6	*	Pin Dowel	2
7	E05-6-6000-108	Center Gear Plate 1/2 H.P.	1
8	E05-6-6001-100	Lower Gear Plate	1
9	433-6-2401-106	Parker Hex Plug	1
10	649-1-0063-504	Socket Head Cap Screw	4
11	E05-6-6005-108	Screen	1
12	609-1-0050-109	Round Head Machine Screw	2
*	E05-3-9960-109	Repair Kit	1





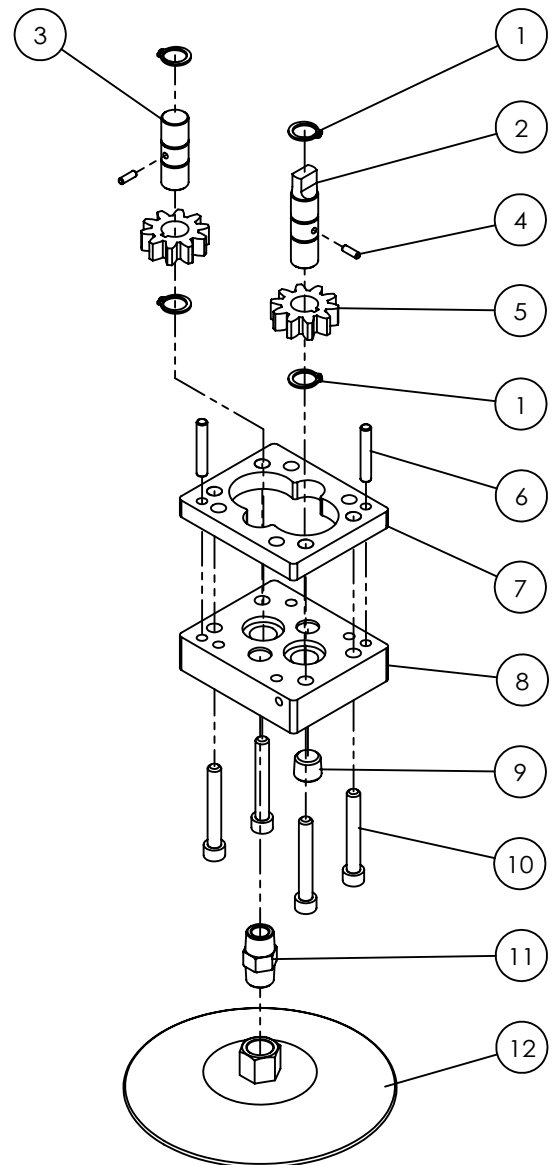
Gear Pump Assembly

PART: E05-4-6001-108

SFA Companies 10939 N. Pomona Ave. Kansas City, MO 64153
 Tel: 888-332-6419 * Fax: 816-891-2142
 E-mail: sales@bvahydraulics.com Website: www.bvahydraulics.com

Not all components of the pump are replacement items, but are illustrated as a convenient reference of location and position in the assembly sequence.

Item	Part Number	Description	Qty
1	*	Retaining Ring External	4
2	E05-6-6002-102	Drive Shaft- Gear Pump 1.0 H.P.	1
3	E05-6-6003-104	Idler Shaft- Gear Pump 1.0 H.P.	1
4	*	Pin Dowel	2
5	E05-6-6004-106	Gear	2
6	*	Pin Dowel	2
7	E05-6-6000-108	Center Gear Plate 1.0 H.P.	1
8	E05-6-6001-100	Lower Gear Plate	1
9	433-6-2401-106	Parker Hex Plug	1
10	649-1-0063-504	Socket Head Cap Screw	4
11	E11-6-7002-107	Pipe Nipple	1
12	E11-3-6005-100	Round Head Machine Screw	2
*	E05-3-9960-109	Repair Kit	1





Gear Pump Assembly

PART: E15-4-6000-104

SFA Companies 10939 N. Pomona Ave. Kansas City, MO 64153

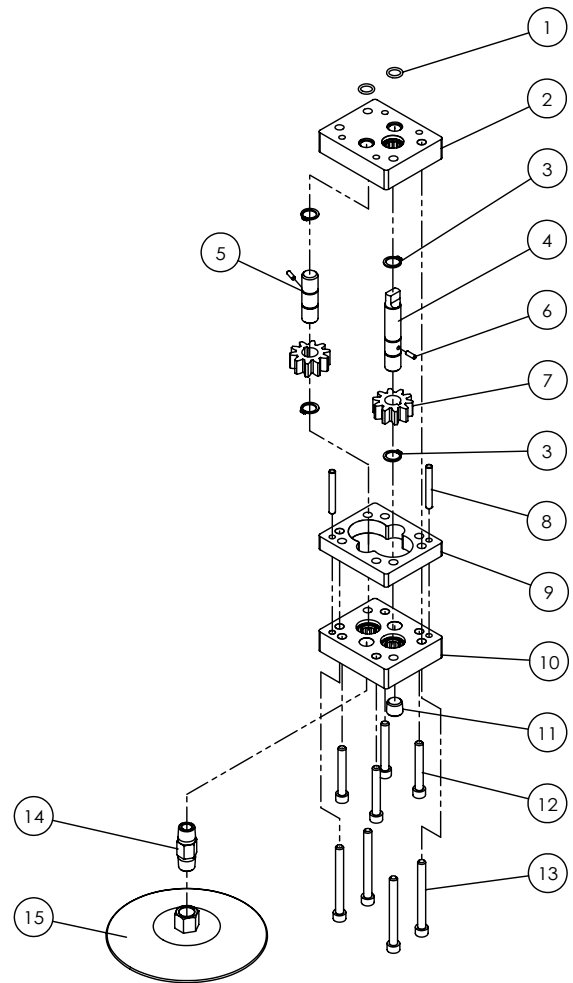
Tel: 888-332-6419 * Fax: 816-448-2142

E-mail: sales@bvahydraulics.com

Website: www.bvahydraulics.com

Not all components of the pump are replacement items, but are illustrated as a convenient reference of location and position in the assembly sequence.

Item	Part Number	Description	Qty
1	*	O-Ring	2
2	E15-4-6005-103	Upper Gear Plate Assy	1
3	*	Retaining Ring - External	4
4	E10-6-6002-105	Drive Shaft - Gear Pump	1
5	E10-6-6003-107	Idler Shaft - Gear Pump	1
6	*	Pin Dowel	2
7	E10-6-6004-109	Gear	2
8	*	Pin Dowel	2
9	E10-6-6000-101	Center Gear Plate	1
10	E15-4-6001-105	Lower Gear Plate Assy	1
11	433-6-2401-106	Parker Hex Plug	1
12	649-1-0063-504	Socket Head Cap Screw	4
13	649-1-0063-403	Socket Head Cap Screw	4
14	E11-6-7003-109	Pipe Nipple (for 3 Gal)	1
	E11-6-7004-101	Pipe Nipple (for 5 Gal)	
15	E11-3-6005-100	Screen	1
*	E15-3-9960-107	Repair Kit	1



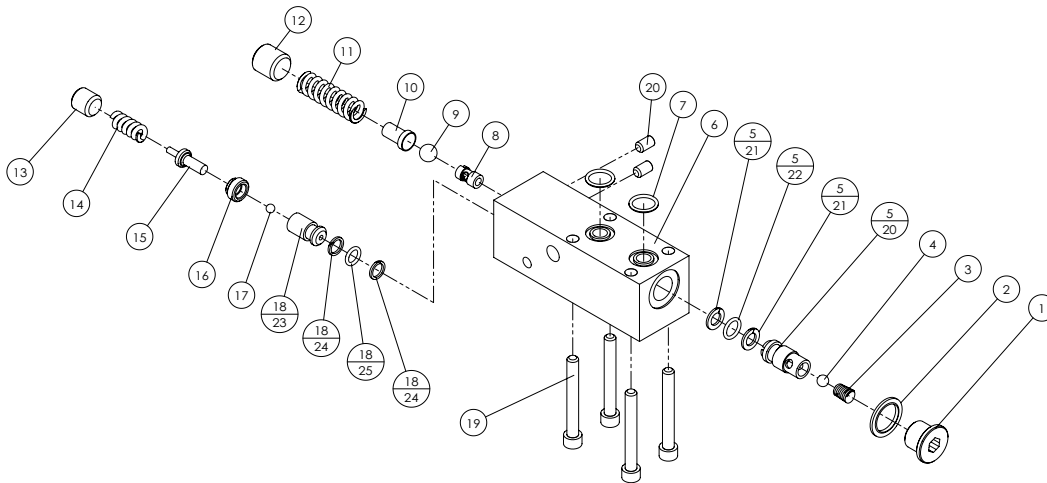


Safety Valve Set

PART: E05-4-8000-106

SFA Companies 10939 N. Pomona Ave. Kansas City, MO 64153
 Tel: 888-332-6419 * Fax: 816-448-2142
 E-mail: sales@bvahydraulics.com Website: www.bvahydraulics.com

Not all components of the pump are replacement items, but are illustrated as a convenient reference of location and position in the assembly sequence.



Item	Part Number	Description	Qty
1	E05-6-8008-104	Parker Hex Plug	1
2	*	Metal Seal	1
3	*	Tapered Spring	1
4	601-7-0008-009	Chrome Steel Balls 1/4"	1
5	E05-4-8002-100	Stick Valve Assy.	1
6	N/A	Block-unloading	1
7	*	O-ring	2
8	E05-6-8001-201	Unloading Pin	1
9	*	Chrome Steel Balls 3/8"	1
10	E05-6-8005-108	Ball Retainer	1
11	*	Low Pressure Spring	1

Item	Part Number	Description	Qty
12	641-1-0158-105	Socket Head Set Screw	1
13	641-1-0127-104	Socket Head Set Screw	1
14	*	High Pressure Spring	1
15	E05-6-8004-106	Relief Ball Retainer	1
16	E05-6-8006-100	Hollow Set Screw	1
17	*	Chrome Steel Balls 3/16"	1
18	E05-4-8003-102	High Pressure Seat Assy.	1
19	649-1-0063-302	Socket Head Cap Screw	4
20	641-1-0060-007	Hollow Set Screw	2
*	E05-3-9980-105	Pressure Adjusting Assy. Repair Kit	1

LIFETIME LIMITED WARRANTY

BVA Hydraulics®, represented in the United States by Shinn Fu Company of America, Inc. ["SFA"] warrants this product to be free from defects in material and workmanship for the life of the product as long as the original purchaser owns the product. The warranty is non-transferable and is subject to the terms, exclusions, and limitations described below:

- Damaged components, including but not limited to bent rams, dented or crushed cylinder walls, broken welds or couplers as well as worn out seals, o-rings and springs are the result of misuse and not covered by warranty and BVA Hydraulics will not provide any warranty credit for such damaged components.
- This warranty does not cover ordinary wear and tear, overloading, alterations (including repairs or attempted repairs not performed by BVA Hydraulics or one of its authorized personnel), improper fluid use, or use of the product in any manner for which the product was not intended or the use of which is not in accordance with the instructions or warnings provided with the product.
- In the unlikely event that a BVA Hydraulics product fails due to material defect in workmanship, you may contact SFA for disposition. In such cases, the customer's sole and exclusive remedy for any breach or alleged breach of warranty is limited to the repair or replacement of the defective product.
- Under no circumstances is BVA Hydraulics liable for any consequential or incidental damage or loss whatsoever.
- THIS WARRANTY IS LIMITED TO NEW PRODUCTS SOLD THROUGH AUTHORIZED DISTRIBUTORS AND OTHER CHANNELS DESIGNATED BY BVA HYDRAULICS. NO AGENT, EMPLOYEE OR OTHER REPRESENTATIVE OF BVA HYDRAULICS IS AUTHORIZED TO MODIFY THIS WARRANTY.
- THE FOREGOING IS EXCLUSIVE AND IS IN LIEU OF ALL OTHER EXPRESS AND IMPLIED WARRANTIES, INCLUDING BUT NOT LIMITED TO THE IMPLIED WARRANTIES OF MERCHANTABILITY AND FOR A FITNESS FOR A PARTICULAR PURPOSE.
- Components not manufactured by BVA Hydraulics including certain motor systems, gasoline engines, and other are not covered by this warranty and instead are covered by the manufacturer's separate manufacturer's warranty provided in the package.
- BVA Hydraulics' liability in all cases is limited to, and will not exceed the purchase price paid for the product.



